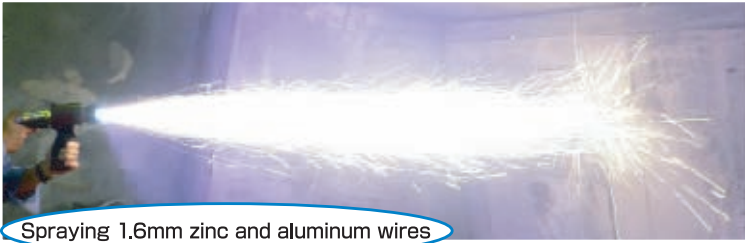


# DC 300A PORTABLE ARC SPRAY SYSTEM

# HANDY ARC

All-transistor powerful DC 300A electric wire arc spray system featuring extreme compactness and lightweight. Ideal for anti-corrosion coatings on steel structures and marine constructions at job site.



Spraying 1.6mm zinc and aluminum wires



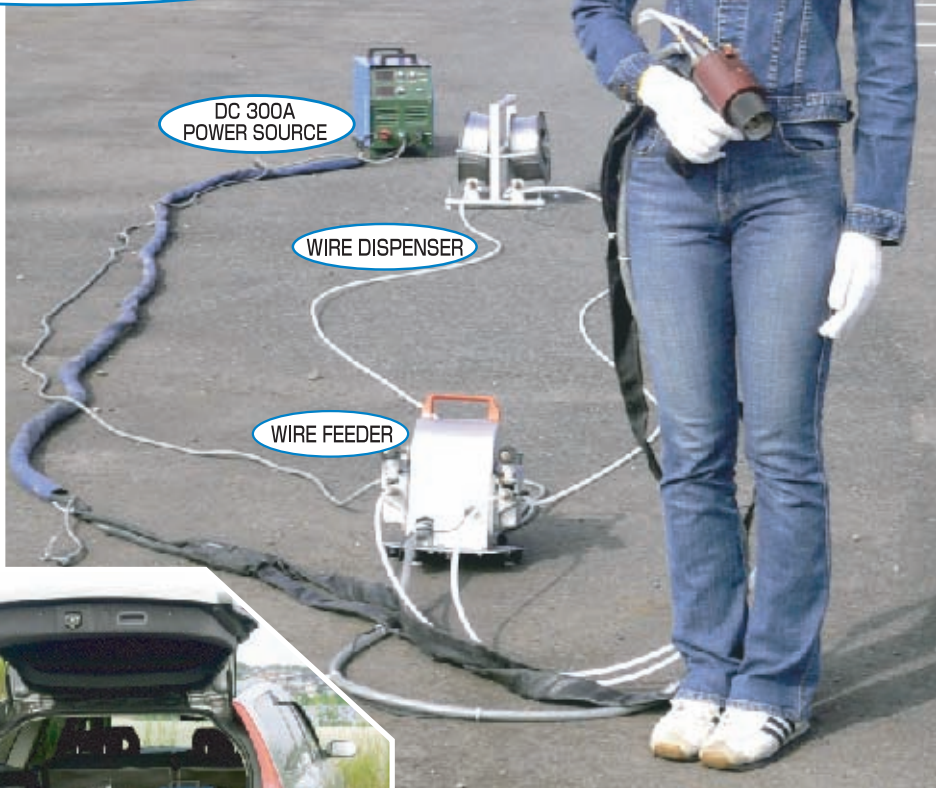
(THERMAL SPRAYING)

Zinc & alloys

Aluminum & alloys

Stainless steels

Other metals



DC 300A POWER SOURCE

WIRE DISPENSER

WIRE FEEDER



Compact & light



Mobile Feeder



Power Source 24kg

Wire Dispenser 4kg

Wire Feeder 12kg

Gun 0.9kg

**SNM ASIA INC.**

## (SPECIFICATIONS)

Power Requirements (Power Option)	220VAC 3 Phase 380VAC 3 Phase
Rated Output	DC 300 Amperes
Air Requirements	1m <sup>3</sup> /min. @0.5MPa



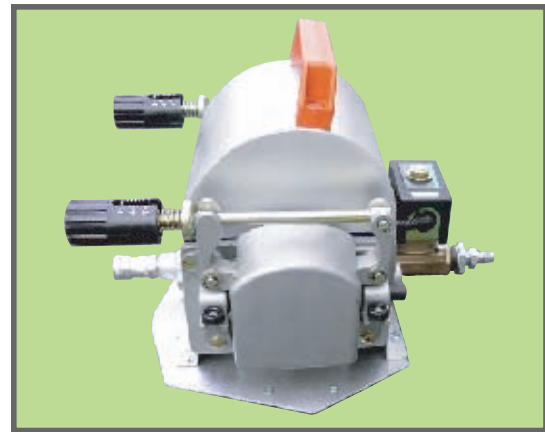
Spraying 1.6mm stainless steel 316L

## (TYPICAL SPRAY MATERIALS)

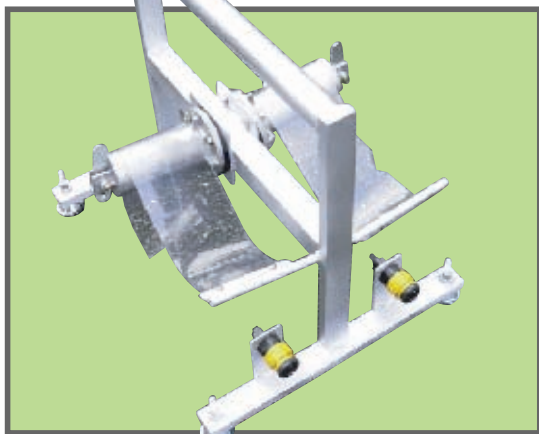
Name	Wire Diameter
Zinc & alloys	1.2 ~ 3.2mm
Aluminum & alloys	1.2 ~ 3.2mm
Stainless steel 316L	1.0 ~ 1.6mm
Nickel Chrome	1.0 ~ 1.6mm
Nickel Aluminum	1.0 ~ 1.6mm



Extremely lightweight Gun  
(70x160x190mm, 0.9kg)



Mobile Wire Feeder  
(260x380x320mm, 12kg)



Compact Wire Dispenser  
(350x435x400mm, 4kg)



All transistor 300A Power Source  
(255x470x380mm, 24kg)

## **SNM ASIA INC.**

1-1-28 Sakuragawa, Naniwa-ku, Osaka 556-0022, Japan  
 TEL+81-6 6567 5836 FAX+81-6 6567 5837  
 E-mail : snmasia@mb.infoweb.ne.jp

Sales Agent: